

# Data Sheet

## VSI F T

# BIZERBA

**Intelligent slicing – the fully automatic vertical slicer VSI F T combines precision and slicing to target weight and a networked integration in the production process. The individual solution for more flexibility and efficiency.**



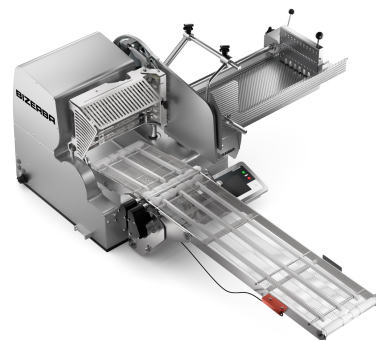
**More information**  
High performance  
with a wide range of  
solutions and options.

### Product description

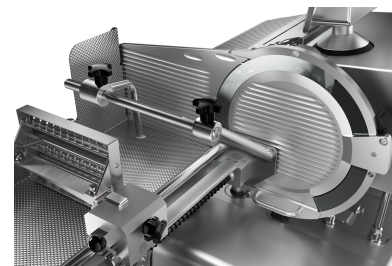
The VSI F T is the ideal slicer for line solutions with packaging machines, interleavers and tray dispensers for medium production quantities and little space. Perfect with customizable conveyors for line solutions or a combination of several slicers in a line.

### Highlights

- Maximum efficiency during slicing thanks to customized and storable slicing programs (PLU) depending on the product to be sliced and the desired depositing type such as stacking, shingling, etc.
- SmarterSlicing functions:
  - Cleaning, sharpening and maintenance icons
  - Transparent monitoring and central data management
- Data and control system related signal exchange via I/O interface for an optimal integration in customer and line processes
- Integrated portion scale for target weight control including weight optimization within a portion
- Optimized according to hygienic design aspects and suitable for hose cleaning
- Swivel-mounted display allows ergonomically optimized work
- High slicing performance at minimal energy consumption due to Emotion® technology



VSI F T



VSI F T carriage

### Options

- I/O interface as a control system related interface for connecting interleavers, tray dispensers, packaging machines, etc.
- Slicing to target weight by means of a portion scale and automatically adjusted slicing parameters
- Conveyor belts: Various lengths and materials
- Stand mobile and stationary
- Blade options: Ceraclean® blade, channeled, bread blade, stainless steel blade
- Exclusive Ceraclean® surface finish



Touch screen with customizable menu structure

---

**My Bizerba**

We offer you solutions from a single source which can be customized and allow you to respond to any change in a flexible manner. Benefit from costs which can be planned and efficient processes. We are happy to advise you.

**Bizerba SE & Co. KG**  
Wilhelm-Kraut-Straße 65  
72336 Balingen

T +49 7433 12-0  
fax: +49 7433 12-2696  
marketing@bizerba.com

**[www.bizerba.com](http://www.bizerba.com)**