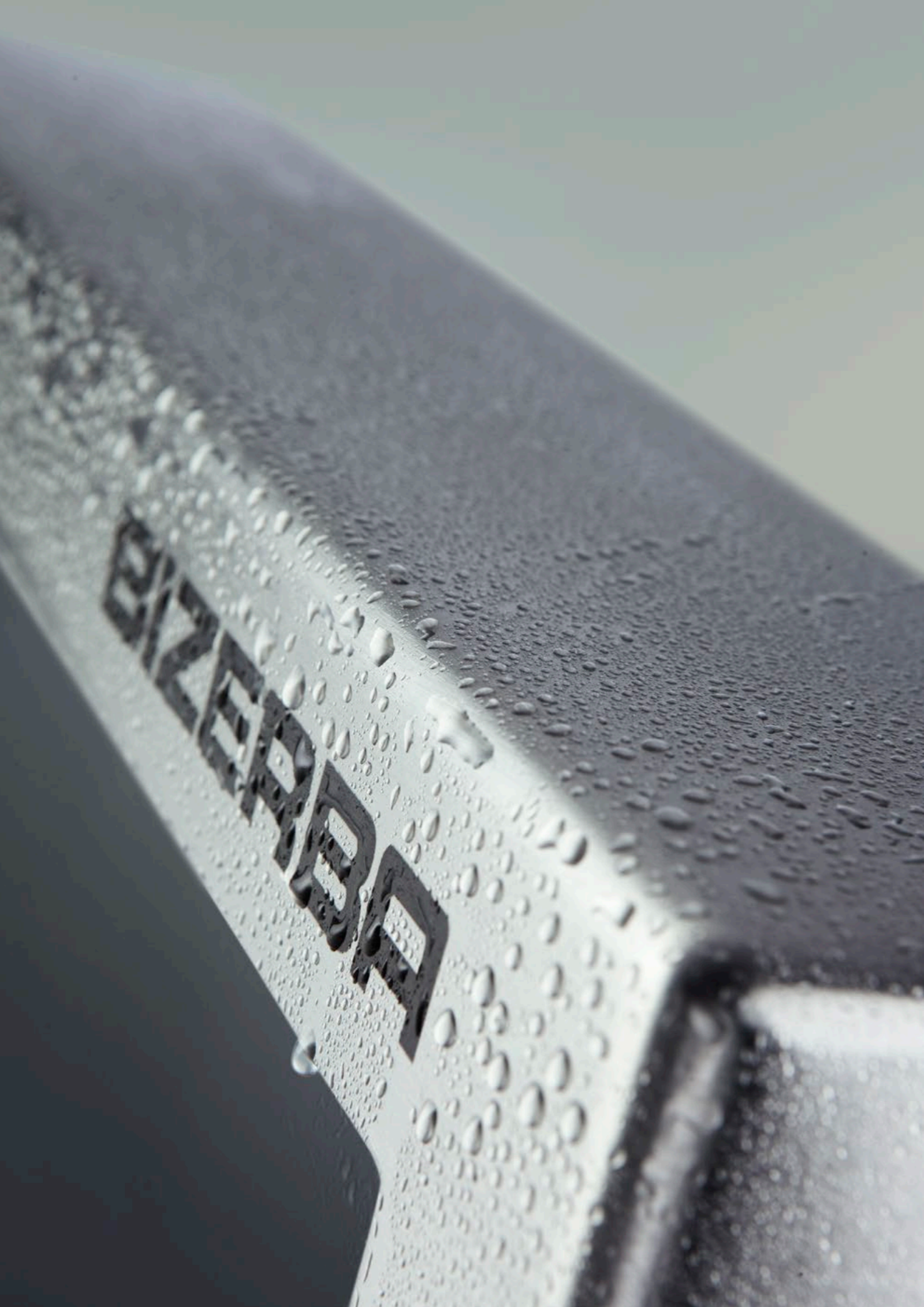




Weighing terminals and industrial PCs

Tailor-made solutions



BIZERBA

OPEN
WORLD



Our experience sets standards

We are a family-owned company guided by a commitment to tradition, sustainability and responsibility. Nowadays, based on our core competence of slicing and weighing technology, we offer our customers the industry's largest and most unique range of products and solutions as hardware, software and services, anywhere in the world.

As a global acting technology company, we allow ourselves to be led by the aim and the requirement to achieve the best possible results in terms of

ergonomics, hygiene, safety and efficiency. We believe we have a role to play in shaping our markets, and are continually setting new industry standards. In close collaboration with our customers and against a backdrop of technological advancement, we are working to improve our products on a daily basis – resulting in innovations which become new standards.

In order to continue to live up to these requirements, we focus on the highest possible quality standards and internationally recognized technology

standards in our development and manufacturing work. This is how we best support our customers in achieving maximum efficiency and profitable growth.

Our experience sets standards.

**That's what matters to us.
Bizerba.**

Intelligent precision



The iS series offers you absolute precision and intelligent product networking along the entire value-added chain. Whether as a high-class individual component or modular system: Our excellent industrial solutions connect state-of-the-art hardware and software know-how.

Tailor-made solutions which fully and reliably cover your industrial needs – our weighing terminals make it possible. We offer you individual and practice-oriented models for the food, chemical and pharmaceutical industries, logistics, metal and electronics industries. They meet highest standards in extreme or sensible production environments also in terms of ergonomics, safety and hygiene.

your needs allowing you to efficiently and safely design your production processes. By means of interfaces they can be easily integrated in your production and IT network. Their application spectrum ranges from classical weight recording, counting application and tolerance control to dosing and formulation tasks. Further fields of application are control and regulating processes, order-picking, documentation and stocktaking.

Perfectly integrated in your environment and combined with the software platforms BRAIN or BRAIN2, they offer you high flexibility tailored to

Weighing terminal iS50

For complex weighing and control systems the intelligent weighing terminal iS50 ensures efficient processes. Controls which were required when a driven roller conveyor was used before and after the scale, for example, are no longer necessary. Also parallel processes can be carried out independently with the iS50. You benefit from maximum functionality and flexibility with just one device.

The weighing terminal easily integrates in your production structures and can be connected to peripheral devices. This is an ideal system solution with Bizerba scales which are fitted with digital or analog weighing technology (e.g. strain gauge or vibrating string technology).

iS50 can be customized to your needs via the integrated Soft-PLC. Frequency converter, valves and motors are directly controlled. Its functionality comprises the establishment of weight and production data. Optionally, it can also control dosing systems, record statistical data as per pre-pack regulations, count, formulate or carry out tolerance controls.



Full graphic TFT display

The large 7" graphic display has a white LED backlighting and a resolution of 800 x 480 pixels. This graphic display is clearly arranged, user-friendly and freely programmable to suit an application.



Integrated Soft-PLC

Since the integrated Soft-PLC may be used for small and medium control tasks, an external PLC control is not necessary with the iS50.



Up to 7 scales connectable

The iS50 can be networked with up to 3 internal scales and, via weighing module, with 4 external scales.



Suitable for Ex zones

As model iS50 Ex it is also available for hazardous areas in Ex zones 2/22 and 1/21. Codesys – and consequently Soft-PLC – can be used in the Ex zone.



BRAIN2

The new software generation BRAIN2 offers you a new and significantly extended range of functions across products. With BRAIN2 we focus on centralization, easy operation and data security.



Freely programmable

Our applications team or an experienced Codesys programmer will customize the industrial terminal to the application and to your needs.

Close to your needs

Flexible in use



Accurate and fast recording of weight

The integrated weighing module of the iS series models ensures highest reliability even in time-consuming applications. Regardless of whether you opt for a high-end terminal or a full-fledged industrial PC: Our solutions record weight values fast and accurately. The ideal basis for optimal production processes.

Flexible applications

With its broad application spectrum the iS series covers all your needs offering maximum flexibility – from simple weighing to PC-based applications. In top Bizerba quality you can integrate weighing, counting, tolerance control, statistics, in-motion weighing, dosing or filling functions in your supply chain. The result: A consistently high product quality and efficient production processes.

Optimized production processes

By networking with the industrial software BRAIN or the new generation BRAIN2 you can create a synchronous work and data flow with the models of the iS series and optimize your production. For more information on industrial software BRAIN2, please see the following pages.

Easy integration

Due to the broad range of available interface technologies the models of the iS series terminals can be quickly and easily integrated in your production. They ensure a smooth machine to machine communication since all serial communication protocols are available for the data exchange. The iS50, for example, comes standard with an Ethernet and USB master/slave interface. Optionally, you may upgrade these models with fieldbuses such as Profibus DP or Profinet IO. Your advantage: You benefit from a broad range of applications and can flexibly adapt your production to process changes.

Best industrial design

The models of the iS series were developed with a practical approach in order to suit your production needs. The robust design which is suitable for industrial applications withstands your requirements. We exclusively use high quality, durable materials. Fitted with a stainless steel housing our models offer protection up to IP69k. These are ideal prerequisites for use in production environments where dust, moisture or aggressive substances are present or high pressure cleaning is required. Special model versions even meet ATEX requirements for use in explosive areas.

Individual location

In terms of design and technology of the iS series we have found flexible mounting solutions which allow you to work with our models exactly where you need them. Our models are fitted with a table or wall mounting, can be installed on a column or can be integrated in a control panel. Since the weighing terminals are optionally available with battery packs, they are suitable for mobile use. This allows you flexible use even in Ex zones.



WM-3

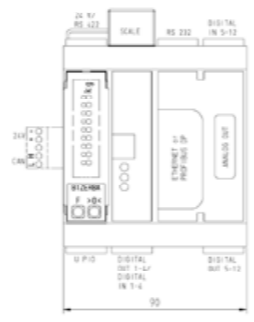
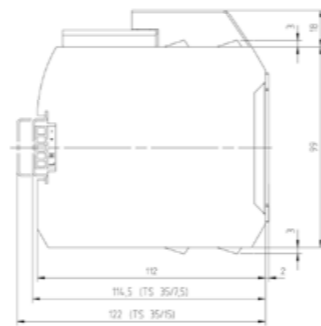
Highlights

- Robust weighing module made of plastic
- Designed for control cabinet installation
- Ideal for weight recording, data output and control in logistics, warehouse and process technologies or fill level check
- QSF filter for stable weight values
- Easy programming via PC tool
- System integration with high process reliability
- Easy data output to PLC, PLS, or ERP systems via interfaces
- Numerous interface options: RS-422 via terminals (bus-capable), 4 static inputs/outputs, galvanically isolated
- Combinable with 1 load receptor or 1 load cell group (analog load cells)
- Suitable for production temperatures between -10 °C and +40 °C
- Protection type IP20 / DIN 40050 EN 60529
- EC type approval: NAWI class III

Options

- Interfaces additional module: RS-232, RS-C via terminals, Ethernet 10/100 MBit (RJ 45 socket), TCP/P, Profibus DP 12 MBit (9-pin Sub-D connector), SWD protocol, Profibus DP (WM-scale) via DPV 0, cyclic service, analog output 0/4-20 mA or 0-10 V, 8 static inputs and outputs, galvanically isolated (total of 12 stat. inputs/outputs)
- Event-controlled SMS data transfer to cell phone and/or landline
- Telemetry connection via RS-232
- Large numeric display

Dimensions



iS10

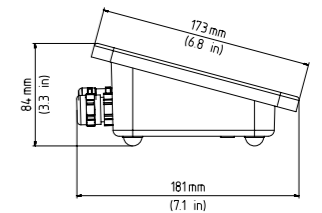
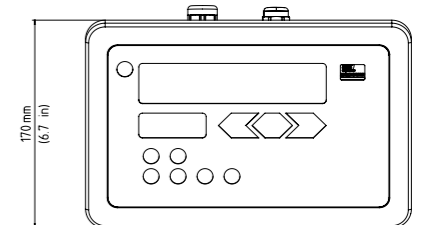
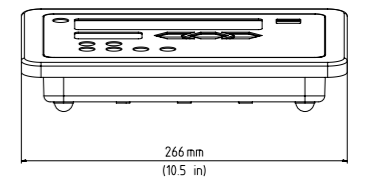
Highlights

- Resistant compact weighing terminal in stainless steel design
- Numerous applications: Controlling, order-picking, packaging, shipping, documenting and stock-taking
- Variable integration: Goods receiving, production, quality assurance in the warehouse, in the packaging and shipping
- Integrated applications for efficient weighing and counting processes or tolerance control
- Fast data recording and control
- Easy and safe handling even with gloves due to large keys with mechanical pressure point and acoustic feedback
- Efficient cleaning thanks to smooth surfaces and rounded edges
- High IP69k protection for a smooth production flow in demanding hygienic or harsh environments with moisture, dust or aggressive substances
- Flexible weight value units kg/lb or oz

Options

- Integrated battery pack including charger and plug-in mains cable
- Individual mounting: Table, wall, counter top, column
- Variable lengths of data, control and measuring cables
- Combinable with different load receptors

Dimensions





iS20

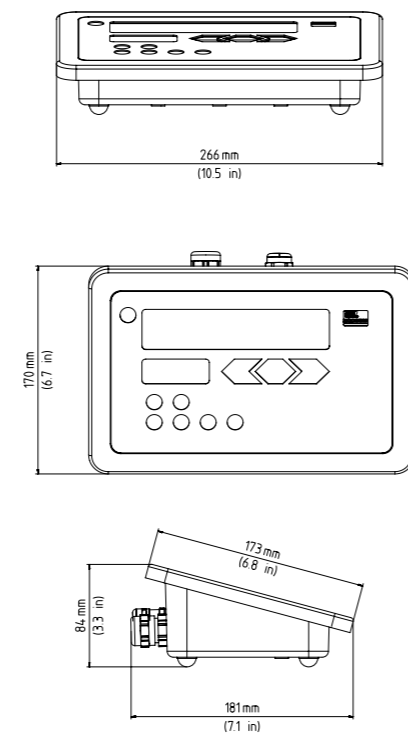
Highlights

- Resistant compact weighing terminal in stainless steel design
- Numerous applications: Controlling, order-picking, packaging, shipping, documenting and stock-taking
- Variable integration: Goods receiving, production, quality assurance in the warehouse, in the packaging and shipping
- Integrated applications for efficient weighing and counting processes or tolerance control
- Metrologically approved data storage
- Visual support during tolerance control due to LED lights
- Fast data recording and control
- Easy and safe handling even with gloves due to large keys with mechanical pressure point and acoustic feedback
- Efficient cleaning thanks to smooth surfaces and rounded edges
- Ideal for harsh production environments
- High IP69k protection for a smooth production flow in demanding hygienic or harsh environments with moisture, dust or aggressive substances
- Flexible weight value units kg/lb or oz
- Extended interfaces RS-232 and Ethernet 100 Mbit
- 3 inputs/4 outputs

Options

- Battery pack and charger integrated in terminal, with plug-in mains cable
- Individual mounting: Table, wall, counter top, column
- Variable lengths of data, control and measuring cables
- Combinable with different load receptors

Dimensions



BIZERBA

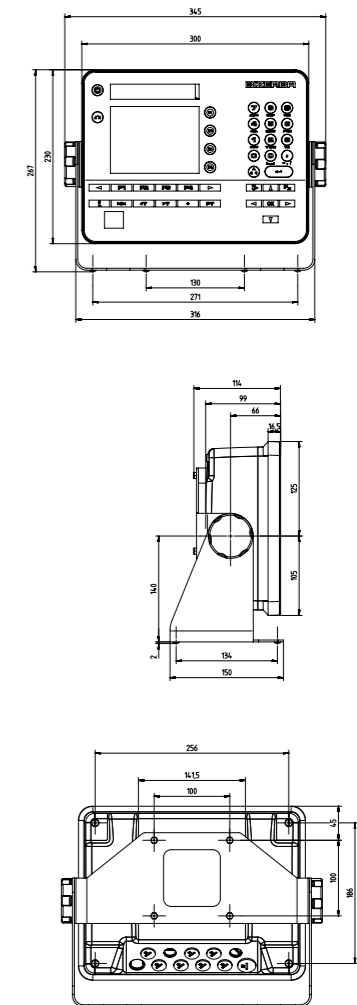
Highlights

- Compact weighing terminal with robust industrial design
- High protection IP65
- Numerous applications: Weight data establishment, counting, dosing, documenting, statistical data recording as per prepack regulations FPV, tolerance control
- Variable place of installation: Goods receiving, production, quality assurance in the warehouse, in the packaging, in shipping
- Fast and exact weight value establishment even in case of time-sensitive applications
- Large, user-friendly 5.7" full graphic display, resolution 320 x 240 pixels, LED backlighting
- Effective and safe data input due to alphanumeric keyboard even with gloves due to large keys with mechanical pressure point and acoustic feedback
- Quick input of process data due to 4 freely assignable function keys and 4 more application keys
- Additional protection type IP69k for high pressure cleaning in harsh environments
- Individual mounting: Table, wall, control panel, VESA 100

Options

- Extended interfaces: RS-232, RS-422, Profibus DP, Profinet-IO, USB, Ethernet, 24 I/Os
- 2 scale interfaces for connection of analog scales, Pesa scales or precision scales
- Application programs, program licenses: Weighing, counting, tolerance control, statistics, single-component filling, dynamic calibration, in-motion weighing, recording database, data input devices, data output devices, fieldbus
- Battery pack with charger and battery holder
- Variable measuring and data cables
- Column, protective cover

Dimensions



BIZERBA

iS30

iS20



iS50

Highlights

- Robust industrial design with IP65 protection
- Additional protection type IP69k for high pressure cleaning in harsh environments
- Individual mounting: Table, wall, control panel
- Freely programmable on 5 function keys and application keys for quick process data input and QWERTY keyboard
- Large, user-friendly 5.7" full graphic display, resolution 800 x 480 pixels, LED backlighting, freely programmable graphic display
- Weighing and control technologies combined in one device
- Fast and exact weight value establishment even in case of time-sensitive applications
- Easy integration into production structure and networks
- Perfect management of the weighing modules: Up to 3 internal, 4 external modules
- Integrated Soft-PLC via Codesys and free programmability

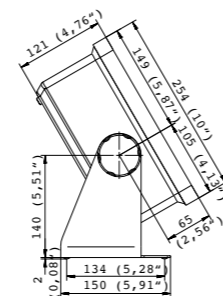
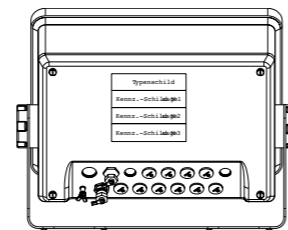
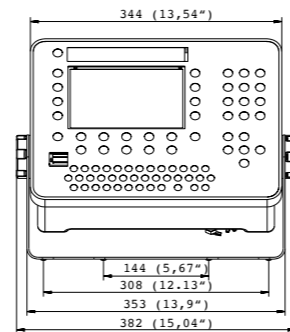
Software option dosing

- Precise and quick dosing
- Fast transmission rates
- Teaching wizard for process optimization
- Maximum dosing results due to filter functions and coarse, medium and fine flow areas
- Secure and clearly arranged graphic and text information
- Numerous interface options
- Combinable with the weighing station by means of a suitable load receptor

Options

- Extended interfaces: RS-232, RS-422, Profibus DP, Profinet-IO, USB, Ethernet and 36 I/Os
- 3 scale interfaces for connection of analog scales, Pesa scales or precision scales
- Version for use in hazardous areas 2/22
- Application programs, program licenses: Weighing, counting, tolerance control, statistics, single-component filling, dynamic calibration, in-motion weighing, price calculation recording database, data input devices, data output devices, fieldbus
- Battery pack with charger and battery holder
- Protective cover

Dimensions



BIZERBA

iS65

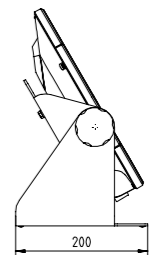
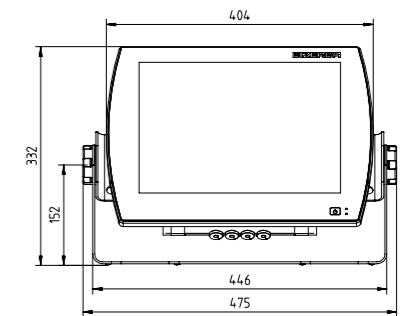
Highlights

- Full-fledged industrial PC in slim, robust and fanless industrial design
- Ideal for harsh environments. Complete protection against dust and moisture due to IP65
- Multifunctional information, control or input terminal due to integrated Atom CPU
- 15" touch display with 1024 x 768 pixels
- LED display for system status
- Optimal network coverage due to integrated WLAN module 802.11
- Ideal for BRAIN Client applications due to 4 GB DDR 3 RAM
- 128 GB SSD data carrier for a fast system start and quick working
- Convenient operating terminal for machines and systems
- Versatile interface options: 2 x Ethernet 10/100/1000 Mbit, RJ 45
- Individual mounting due to VESA 75

Options

- Stand for table or wall mounting made of stable stainless steel and variable inclination angle
- Column for ideal use on production lines

Dimensions



BIZERBA

Highly reliable



iS70

Highlights

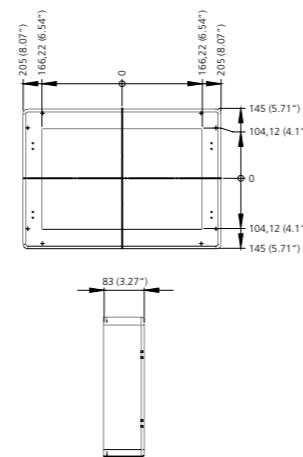
- Ideal industrial PC in stainless steel design for harsh conditions
- Optimal terminal for weighing, dosing, counting, checking, control and data recording due to suitable software
- Resistive touch display with GFG (glass-film-glass) technology
- Individual mounting: Stand, column, VESA 100
- Cable routing for standard cables fulfilling protection type IP65
- Active TFT LCD color display with LED backlighting
- 15.4" display with 1280 x 800 pixels
- 19" display with 1280 x 1024 pixels
- CPU Intel Celeron 874E 1.1 GHz
- 4 GB RAM
- 32 GB SSD mass memory
- Numerous interface options: 2 x Ethernet 10/100/1000 Mbit, RJ 45 serial, USB
- NTScale: Full-screen display with net, tare and gross weight/standard display with net weight and docked windows at the top, side or bottom

Options

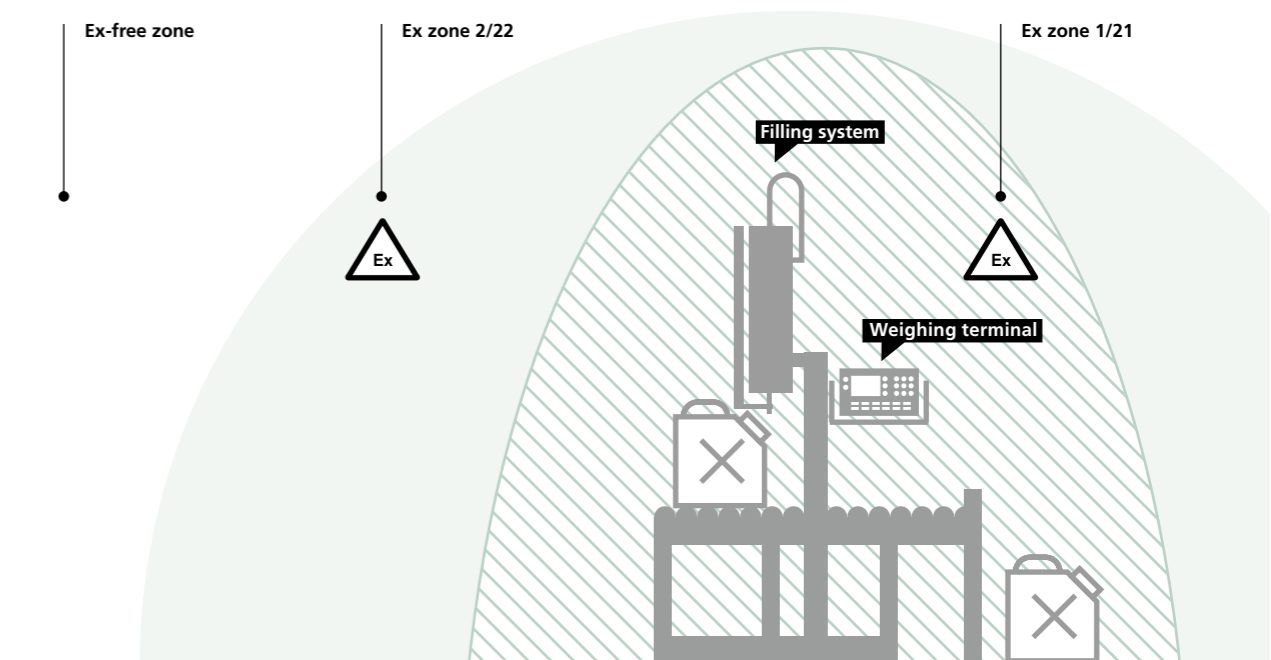
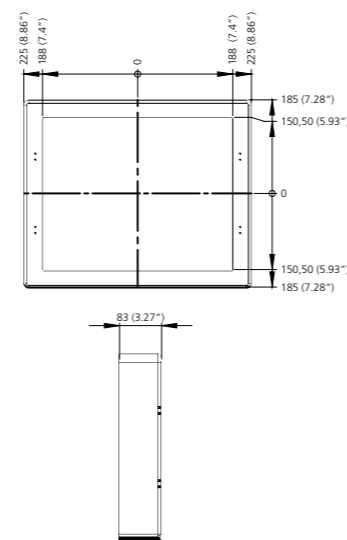
- 120 GB SSD data memory
- Internal wireless WLAN module
- Galvanically isolated serial interface
- Stand/column
- NT-Scale software with up to three connected scales
- Metrologically approved data storage via _connect.BRAIN



Dimensions

15.4" Display



19" Display



Ex zone	Production area	Bizerba Products
Ex-free zone	Safe production areas	WM-3 / iS10 / iS20 / iS30 / iS50 / iS65 / iS70
 Ex zone 2/22	Ideal for production areas in which an explosive dust and gas atmosphere would usually not or only briefly occur (normal safety).	iS30-Z2 / iS50-Z2
 Ex zone 1/21	Ideal for production areas in which an explosive dust and gas atmosphere occasionally occurs (high safety).	iS50-Ex

Full functionality in Ex zone

Specially for industries with production in hazardous areas we designed Ex models for the iS series. They equally fulfill the demands of your production as also the requirements of the ATEX directive. The functionality of these specially developed terminals is fully retained in the Ex zone. With the iS50-Ex, even a Soft-PLC can be used in the Ex zone. Currently we offer these weighing terminals for different Ex zones:

The functionality of these specially developed terminals is fully retained in the Ex zone. Based on the desired

application you can safely perform counting, dosing or filling functions in your production process. Also data recording according to prepack regulations and tolerance control can be carried out reliably. With the iS50-Ex, even a Soft-PLC can be used in the Ex zone. iS50-Ex and iS50-Z2 are freely programmable and perfectly adapt to your needs. Due to numerous interfaces, all Ex models can be easily integrated in existing production and IT networks.

Efficient handling

All Ex models of the iS series are fitted

with an integrated power supply unit. Thanks to this practical design concept additional solutions are not necessary and your staff can work efficiently. Also operating the weighing terminals is easy and convenient due to the integrated fully graphic display. Furthermore, the sophisticated design offers you flexible mounting options: Whether table-top or wall-mounted or with column. The installation in a control panel is also possible. Our battery box BK-Ex24V ensures maximum flexibility in the production with mobile systems in the Ex zone. The battery pack version ensures a smooth power supply.



BRAIN2 Moduls



**BRAIN2
Formulation**



**BRAIN2
Order_Processing**

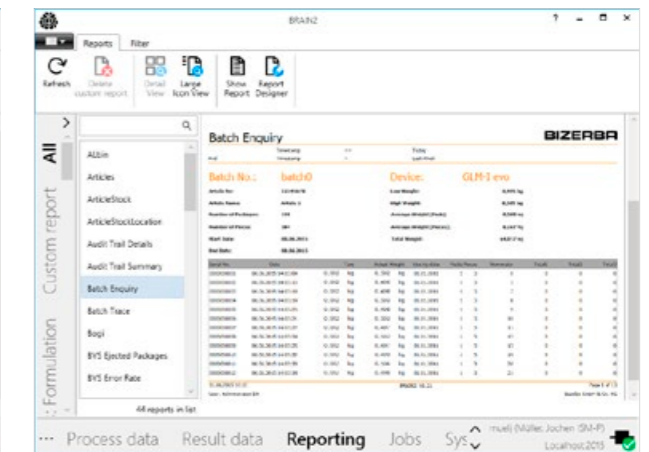


**BRAIN2
Prepack_Compliance**



**BRAIN2
Safety_Service**

These and many other module solutions can be found on the Internet at www.bizerba.com



Perfectly networked with BRAIN2

Our iS series offers more possibilities. Benefit from intelligent networking which you can use to make your processes more efficient. Before, during and after production. Our solution: BRAIN2. The new software generation.

A synchronous work and data flow from goods receiving to shipping. The new software generation BRAIN2 makes it possible. In the context of industry 4.0 it collects all relevant quality parameters of your production. With the modules of the intelligent platform you can monitor, analyze and document any process phase. The result: You bene-

fit from maximum transparency allowing you to optimize your production.

Your advantages: With BRAIN2 you increase the quality of your data. Data is reliably recorded, saved and evaluated. This is an optimal basis to fully utilize your production system, to simplify processes and to main-

tain a constantly high product quality.

Tailor-made solutions

BRAIN2 is a dynamic software platform with a modular design. With this innovative concept it unites the central functions reporting, device management, user management and audit trail system. Our applications team

customizes the functions to your needs and your business. The concept of special applications is also possible.

Efficient handling

BRAIN2 easily and conveniently integrates in your existing IT system. The central, server-based system offers you a uniform graphical user interface. Via application selection you can customize the user-friendly user interface and arrange it clearly to your needs. BRAIN2 lets you centrally define and manage users and groups. Via Active Directory or LDAP they can be transferred to higher-level systems. Create reports by pressing a button. You choose from a wide range of formats and can customize BRAIN2 reports with the Report Designer. Automatic reports can also be generated. Similarly convenient

is the integration and management of the production equipment. You simply enter IP and device name. The central device overview and configuration via BRAIN2 simplify use and remote service of the devices.

Convenient operation

BRAIN2 makes creating reports very easy. In future you just press a button to create them. You choose from a wide range of formats and can customize BRAIN2 reports with the Report Designer. Automatic reports can also be generated. Similarly convenient is the integration and management of the production equipment. You simply enter IP and device name. The central device overview and configuration via BRAIN2 simplify use and remote service of the devices.

Your advantages with BRAIN2

- Tailor-made solutions due to a modular design of the software platform and the adjustments of the functions by our applications team
- Efficient handling during the integration in your IT network, simple reporting and central management
- Easy initial training of your staff carried out by our training team

For more information on BRAIN2, please watch our video under



All possibilities at a glance

Product	Applications										Power			Interfaces								Scale interfaces				Display and operation			
	Weighing	Counting	Tolerance control	Statistics	Dosing/filling	In-motion weighing	Price calculation	Free programmability	Soft-SPS	230 V	24 V DC	Battery pack 24 V	RS-232	RS-422/RS-485	RS-232 galvanically isolated interfaces	USB Port	Ethernet RJ45	W-Lan IEEE 802.11 a/b/g/n	Fieldbuses (Profibus/Profinet-I/O) static inputs/outputs	Max. number of connectable load receptors	Analog scale	Digital scale	Pesa scale	Connection precision scale	RS-232	Color display	Touch display	Tactile function keys	
Weighing module																													
WM-3	●	×	×	×	×	⊖	×	×	×	×	●	×	●	●	×	×	⊖	×	⊖	⊖	1	●	×	⊖	×	×	×	●	
Weighing terminal																													
iS10	●	●	●	×	×	×	×	×	×	●	×	●	×	×	×	×	×	×	×	×	1	●	●	×	×	×	×	●	
iS20	●	●	●	×	×	×	×	×	×	●	×	●	●	×	×	×	⊖	×	●	1	●	●	×	×	×	×	●		
iS30	●	⊖	⊖	⊖	⊖	⊖	×	×	×	●	⊖	●	⊖	⊖	⊖	⊖	●	⊖	⊖	●	2	⊖	●	⊖	⊖	●	×	●	
iS30-Z2	●	⊖	⊖	⊖	⊖	⊖	×	×	×	●	⊖	●	⊖	⊖	×	⊖	●	⊖	⊖	●	2	⊖	×	⊖	×	●	×	●	
iS50	●	⊖	⊖	⊖	⊖	⊖	⊖	⊖	⊖	●	⊖	●	⊖	⊖	●	⊖	●	⊖	⊖	●	7	⊖	●	⊖	⊖	●	×	●	
iS50-Z2	●	⊖	⊖	⊖	⊖	⊖	⊖	⊖	⊖	●	⊖	●	⊖	⊖	×	⊖	●	⊖	⊖	●	2	⊖	×	⊖	×	●	×	●	
iS50-Ex	●	⊖	⊖	⊖	⊖	⊖	⊖	⊖	⊖	●	⊖	●	⊖	⊖	×	⊖	●	⊖	⊖	●	2	⊖	×	⊖	×	●	×	●	
Industrial PC																													
iS65	×	⊖	⊖	⊖	⊖	⊖	⊖	●	×	⊖	●	×	●	×	×	●	●	●	×	×	0	×	×	×	×	●	●	×	
iS70	⊖	⊖	⊖	⊖	⊖	⊖	⊖	●	×	●	×	×	●	⊖	⊖	●	●	⊖	×	×	3	⊖	⊖	×	×	●	●	×	

Product	Housing versions										Ex zones			Protection type			Can be used with industrial software												
	Top-hat rail mounting	Tabletop version	Counter top version front side compact scale	Control panel mounting	Column mounting	Control panel mounting	VESA mounting	Vibration resistance system	Vibration resistance after shock EN 60721-3-5	Protective cover	Ex-free zone	Zone 2/22	Zone 1/21	IP20	IP65	IP69k	BRAIN2 Capture	BRAIN2 Prepack Compliance	BRAIN2 Formulation	BRAIN2 Formulation as transmitter	BRAIN2 Safety Service	statistics.BRAIN	sampling inspection	PortionControl.BRAIN	connect.BRAIN	counting.BRAIN			
Weighing module																													
WM-3	●	×	×	×	×	×	×	×	×	●	×	×	●	×	×	×	×	×	●	×	×	×	×	●	×				
Weighing terminal																													
iS10	×	●	●	⊖	●	⊖	×	×	×	●	×	×	●	●	●	×	×	×	×	×	×	×	×	×	×				
iS20	×	●	●	⊖	●	⊖	×	×	×	●	×	×	●	●	●	●	●	×	●	×	×	×	●	●	●				
iS30	×	●	×	●	●	⊖	●	×	⊖	●	×	×	●	●	●	●	×	×	●	×	×	×	●	●	●				
iS30-Z2	×	●	×	●	●	⊖	●	×	⊖	●	●	×	●	●	×	●	×	×	●	×	×	×	●	●	●				
iS50	×	●	×	●	●	⊖	×	×	⊖	●	×	×	●	●	●	●	×	●	●	×	●	×	●	●	●				
iS50-Z2	×	●	×	●	●	⊖	×	×	⊖	●	●	×	●	●	×	●	×	●	●	×	●	×	●	●	●				
iS50-Ex	×	●	×	●	●	⊖	×	×	⊖	●	●	●	●	●	×	●	×	●	●	×	●	×	●	●	●				
Industrial PC																													
iS65	×	×	×	⊖	⊖	×	●	●	×	●	×	×	●	●	×	●	●	●	●	●	●	●	●	●	●				
iS70	×	●	×	⊖	⊖	×	●	×	×	●	×	×	●	●	×	●	●	●	●	●	●	●	●	●	●				

Legend

- Optimally suitable for this purpose
- ⊖ Suitable for this purpose
- ×

For top quality and reliable performance

Rely on high-quality cleaning products and original consumables in Bizerba quality in your day-to-day work with your iS weighing terminal or industrial PC. Everything is perfectly matched to your products ensuring best possible results and longevity of your investment. Benefit from perfect team work.

Optimal functioning and constant availability of your devices and machines requires professional care. Our high-quality cleaning agents play an important role since they are specifically developed for demanding conditions in food, chemicals and pharmaceuticals, logistics as well as in metal and electrical industries. They are easy to use and show impressive

results: Perfect cleanliness providing protection as well as hygienic disinfection of sensitive components and smooth surfaces. For each material, whether stainless steel, plastic or glass, we have a suitable cleaning agent in our comprehensive assortment: Clean solutions for your work area or production facility.



Information to suit your every need

There are various quick and effective routes to finding the perfect solution for your company. Whether you would like to contact us online or prefer to arrange a face-to-face meeting, Bizerba is always happy to help.

In person

If you would like to set up a personal meeting to discuss your on-site circumstances and possibilities, please contact us directly. Our customer advisors are always on hand to assist you, from the initial idea to detailed planning and from implementation to staff training. You can find details of how to contact us on the back page of this brochure.

for yourself thanks to videos and 360° animations. Simply visit our website to see more:

www.bizerba.com

Would you like to know more?

Are you keen to obtain more detailed information about Bizerba's products? If so, please do not hesitate to contact us. Whether you require scale drawings, technical details or interface specifications, we're happy to advise you.

Online

The Bizerba website provides a quick, easy and focused overview of all our product solutions as well as relevant topics relating to weighing, packaging, pricing and labeling. You can even experience our solutions from all angles 'virtually'

Members of the Bizerba Group

Bizerba SE & Co. KG

Wilhelm-Kraut-Straße 65
72336 Balingen
Germany

T +49 7433 12-0
F +49 7433 12-2696
info@bizerba.com

www.bizerba.com

Bizerba USA Inc.

1804 Fashion Court
Joppa, MD 21085
USA

T Office +1 732 565-6000
T Service +1 732 565-6001
F +1 732 819-0429
us.info@bizerba.com

www.bizerbausa.com

Bizerba UK Limited

2-4 Erica Road
Stacey Bushes
Milton Keynes
Buckinghamshire
MK12 6HS
UK

T +44 1908 6827-40
F +44 1908 6827-77
sales@bizerba.co.uk

www.bizerba.com

Bizerba Canada Inc.

2810 Argentia Road #9
Mississauga,
Ontario L5N 8L2
Canada

T +1 905 816-0498
F +1 905 816-0497
ca.info@bizerba.com

www.bizerba.ca

V11200d © 1st edition. All rights reserved. Subject to modifications. Deviations in color, printing errors due to the photographic material or printing, or changes in construction and model are reserved.

