

Fact Sheet

BIZERBA

WM-T

The WM-T in combination with our industrial PCs iS65 Pro and iS75 as well as the verifiable Bizerba software ScaleView allow among other things to use different weighing applications under harsh industrial ambient conditions.



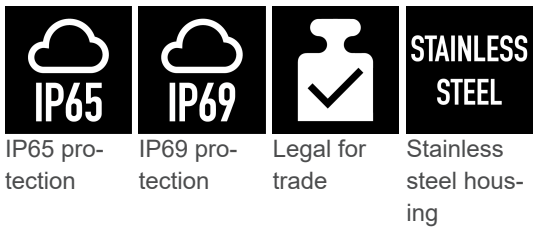
More information
High performance
with a wide range of
solutions and options.

Specifications	Facts	Details
Dimensions	40 x 240 x 220 mm	W x L x H
Material	Stainless steel	1.4301
IP rating	IP65/IP69	
Connection load receptor	1 analog load receptor	2nd analog load receptor as a compound scale with additional WM-T
Display	15.4" resistive touch technology	iS65 Pro
	Resolution 1,024 x 768 pixel	
	21.5" projective capacitive touch	iS75
	Full HD TFT display	
	Resolution: 1,920 x 1,080 pixels	
Power supply	5V	Via USB only in combination with iS75 and 1 WM-T at a maximum
	24 V DC	From the iS65 Pro via fixed cable connection Via external plug-in transformer unit, optional Power consumption WM-T 0.5 A
Interface	USB	Connection to industrial PC iS65 Pro or iS75 Max. 2.5 m
	RS232	Without galvanic isolation Connection to industrial PC iS65 Pro or iS75 Distances > 2.5 m Optional
Ambient temperature	0 °C to +40 °C -20 °C to +60 °C	Operation Storage / transport:
Software	ScaleView	Verifiable display on industrial PC
Options	Facts	Details
Foot	Table-top mounting	WM-T will be mounted to the inside of the base from the industrial PC
	Wall mounting	
Column	Mounting onto stainless steel column	WM-T will be mounted to the inside of the base from the industrial PC
Wall mounting	Customer-mounted	
Industrial software	BRAIN2	
Data storage	1 GB SD card	Legal for trade

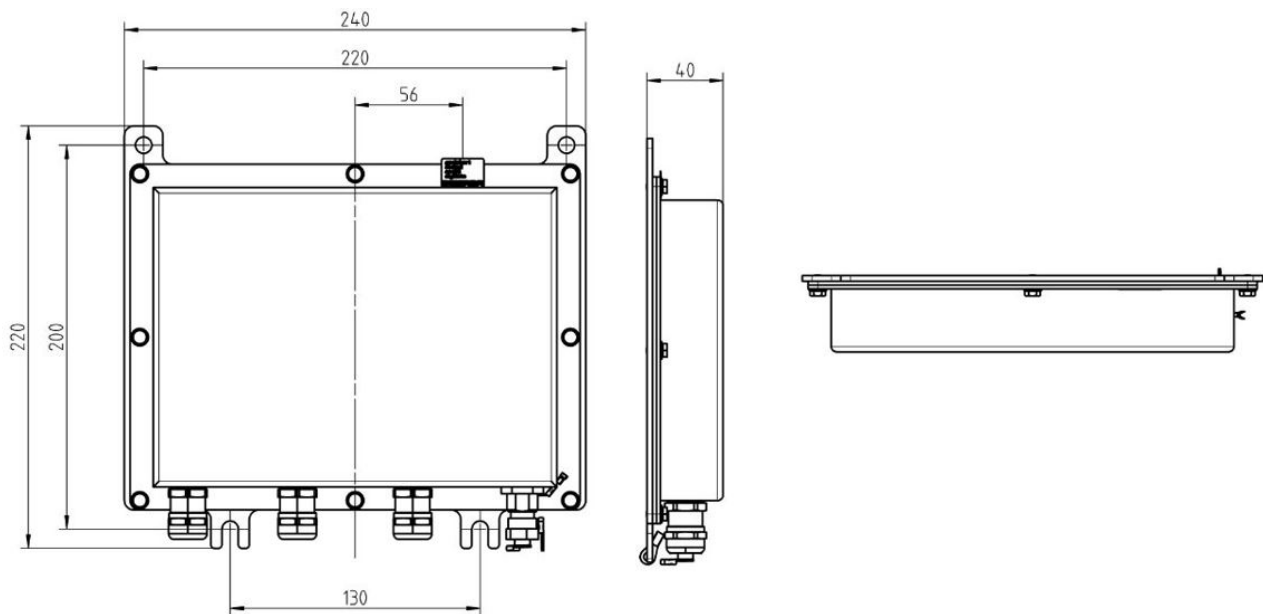
Info graphics



Symbols



Dimensional drawings



Bizerba SE & Co. KG
Wilhelm-Kraut-Straße 65
72336 Balingen

T +49 7433 12-0
fax: +49 7433 12-2696
marketing@bizerba.com

www.bizerba.com