

Fact Sheet

GLM-Emaxx automac

BIZERBA

GLM-Emaxx automac: More performance, more convenience, more functionality. In combination with a packaging machine, the GLM-Emaxx automac fulfils both current and future requirements with its powerful processor.



More information
High performance
with a wide range of
solutions and options.

Specifications	Facts	Details
Weighing range	LA18 A/M 6 kg / 2 g	Minimum load 40 g / verification scale intervals 3,000
	6/15 kg // 2/5 g	Minimum load 40 g / verification scale intervals 2x3,000
Printing technology	Printing method	Thermal direct (optionally thermal transfer)
	Resolution	8 dot/mm (optional 12 dot/mm)
	Print width	80 mm (optional 104)
	Print speed	Max. 200 mm/s
	Label output	120 mm
Printer	Label size	min. 30 mm (W) x 30 mm (L) max. 100 mm (W) x 100 mm (L)
	Label roll	Core diameter 40 mm (optionally 76 mm) Outer diameter max. 300 mm
	Thermal transfer ribbon	Core diameter 25.4 mm Outer diameter 81 mm
Barcode versions	All standard barcodes	EAN/UPC 8, EAN/UPC 13, EAN/UPC 128, Code 2/5 int. Code 39, Code 128, GS1-128, PDF417, PDF417 with AI, GS1 DataBar Omni, GS1 DataBar, Datamatrix, QRCode
Mains voltage	230 V/50-60 Hz	
	110 V/60 Hz	
Operating temperature	0 °C to 40 °C	Stand-by up to -10 °C
Humidity	20 - 90%, non-condensing	
IP rating	IP20	
Memory	2 GB	Compact Flash card
Operating panel	Operation via keyboard	Optional GT-12E or GT-12C LCD display 12" with color touchscreen
	7" color display	
Options	Facts	Details
Thermal transfer device		Printing is done via thermal transfer ribbon
Compressor		For type Elix Plus/ZX

Symbols



IP54 protection



IP20 protection



Tool-free maintenance

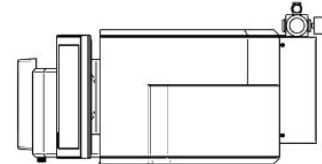
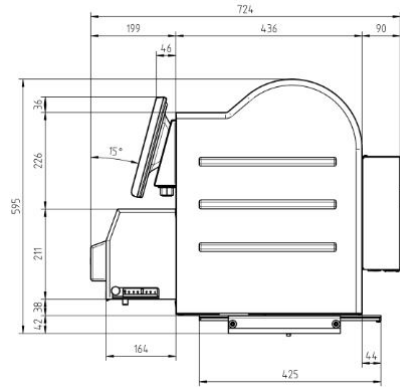
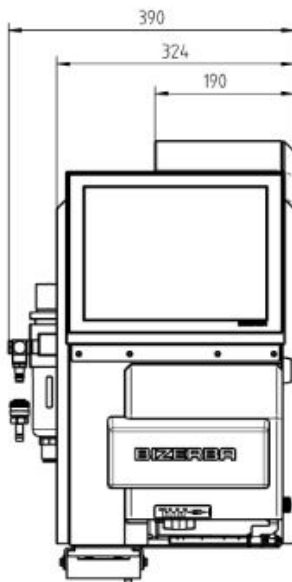


WS Food



UNICODE

Dimensional drawings



Bizerba SE & Co. KG
Wilhelm-Kraut-Straße 65
72336 Balingen

T +49 7433 12-0
fax: +49 7433 12-2696
marketing@bizerba.com

www.bizerba.com